

TONIK®



JUX™ Dining Chair

designed by
Karim Rashid



A stretched, continuous shape folded and flared into being, JUX™ is an elegant interpretation of bar and dining sets. The collection is smooth and sculptural, while always conveying strength and durability for a range of environments. Deceptively simple at first glance, the JUX™ collection contains great complexity.

Model #	Height	Width	Depth	Weight
JX11	32.5"	20.5"	23"	19 lbs

Material

One-piece, rotationally molded, specially formulated, high-impact polyethylene with ultraviolet light stabilizers (to reduce fading). The commercial-grade polyethylene material is also FDA-approved, making it ideal for restaurants, food courts and entertainment facilities. Chemically resistant to bleach, salt solution and chlorine solution. Premium TruColor™ material is fully compounded for superior color and quality assurance. Enhanced UV resistant formulation suitable for both indoor and outdoor use.

Options

Ballasting (25 lbs)

Environmental Test Standards

GREENGUARD and GREENGUARD Gold Certified by UL Environment. Product certified for low chemical emissions to UL 2818. UL.COM/GG.

Performance Test Standards

Product tested to 500 lbs static load.

Assembly

None Required

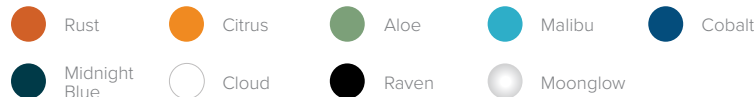
Warranty

5 year limited replacement warranty.

Maintenance

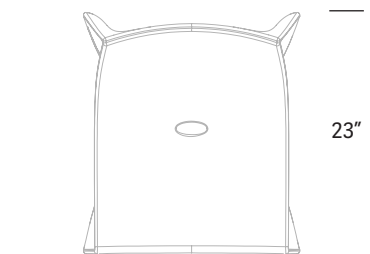
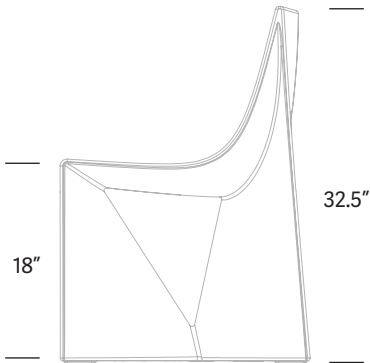
For routine and regular cleaning maintenance, Tonik recommends the use of Simple Green® or an equivalent cleaning product. For the deep-scrub cleaning of tougher stains, marks and debris, we recommend the use of Clorox® Clean-Up® Cleaner + Bleach or an equivalent cleaning solution.

Color



Due to differences in monitors, printers and materials, actual product colors may vary. Color chips are available for more accurate depiction of color.

*Available in Moonglow, but not Illuminated.



20.5"