

TONIK®



KUBE Left Arm

Configure your Kube setup with multiple colors, configurations, and fabric options to create the perfect modern space in your facility.

Model #	Height	Seat Height	Width	Depth	Weight	COM Yards
KE12L	29"	16"	28"	28"	24 lbs	2.75 yds

Material

Base: One-piece, rotationally molded, specially formulated, high-impact polyethylene with ultraviolet light stabilizers (to reduce fading). The commercial-grade polyethylene material is also FDA-approved, making it ideal for restaurants, food courts and entertainment facilities. Chemically resistant to bleach, salt solution and chlorine solution. Premium TruColor™ material is fully compounded for superior color and quality assurance. Enhanced UV resistant formulation suitable for both indoor and outdoor use.

Cushion: 2" thick open cell foam adhered to EPP high density flexible foam is attached to base with heavy duty velcro.

Options

Bolt-down / Ganging Kit / Factory Ballasting (50 lbs)

Upholstery

Hundreds of upholstery options in different grades and price points available for cushioned top.

Environmental Test Standards

GREENGUARD and GREENGUARD Gold Certified by UL Environment. Product certified for low chemical emissions to UL 2818. UL.COM/GG.

Performance Test Standards

Product tested to 500 lbs static load.

Assembly

None Required

Warranty

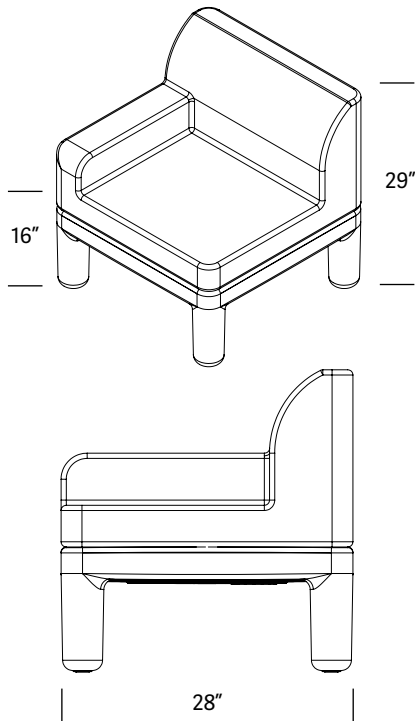
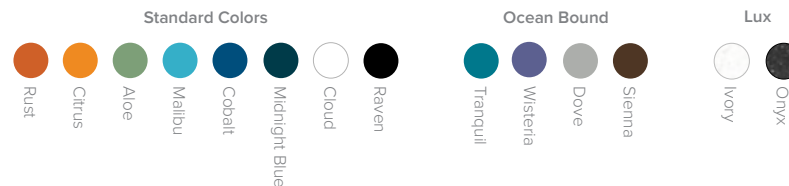
5 year limited replacement warranty.


Maintenance

For routine and regular cleaning maintenance, Tonik recommends the use of Simple Green® or an equivalent cleaning product. For the deep-scrub cleaning of tougher stains, marks and debris, we recommend the use of Clorox® Clean-Up® Cleaner + Bleach or an equivalent cleaning solution.

Due to differences in monitors, printers and materials, actual product colors may vary. Color chips are available for more accurate depiction of color.

Color



 Item has a Ballast Port