

TONIK®



# KUBE Corner Seat

Configure your Kube setup with multiple colors, configurations, and fabric options to create the perfect modern space in your facility.

Model #	Height	Seat Height	Width	Depth	Weight	COM Yards
KE13	29"	16"	28"	28"	25.5 lbs	2.5 yds

## Material

**Base:** One-piece, rotationally molded, specially formulated, high-impact polyethylene with ultraviolet light stabilizers (to reduce fading). The commercial-grade polyethylene material is also FDA-approved, making it ideal for restaurants, food courts and entertainment facilities. Chemically resistant to bleach, salt solution and chlorine solution. Premium TruColor™ material is fully compounded for superior color and quality assurance. Enhanced UV resistant formulation suitable for both indoor and outdoor use.

**Cushion:** 2" thick open cell foam adhered to EPP high density flexible foam is attached to base with heavy duty velcro.

## Options

Bolt-down / Ganging Kit / Factory Ballasting (50 lbs)

## Upholstery

Hundreds of upholstery options in different grades and price points available for cushioned top.

## Environmental Test Standards

GREENGUARD and GREENGUARD Gold Certified by UL Environment. Product certified for low chemical emissions to UL 2818. [UL.COM/GG](http://UL.COM/GG).

## Performance Test Standards

Product tested to 500 lbs static load.

## Assembly

None Required

## Warranty

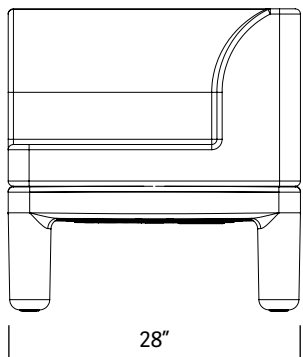
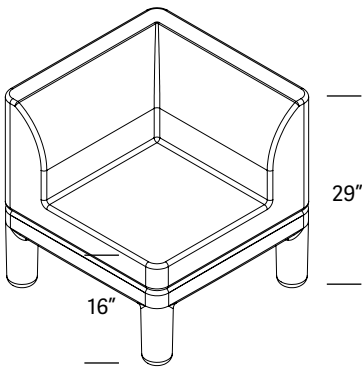
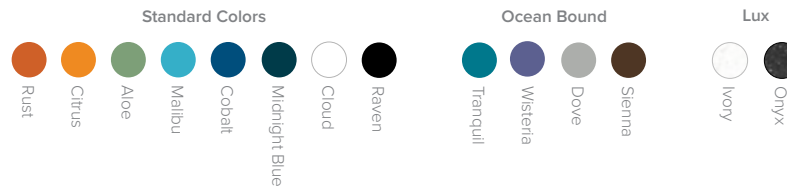
5 year limited replacement warranty.


## Maintenance

For routine and regular cleaning maintenance, Tonik recommends the use of Simple Green® or an equivalent cleaning product. For the deep-scrub cleaning of tougher stains, marks and debris, we recommend the use of Clorox® Clean-Up® Cleaner + Bleach or an equivalent cleaning solution.

*Due to differences in monitors, printers and materials, actual product colors may vary. Color chips are available for more accurate depiction of color.*

## Color



 Item has a Ballast Port