

TONIK®



CABIN Side Table

Cabin is the modern take on traditional design packed with all of the benefits of one-piece rotomolded polymer. The proprietary TruGrain™ technology has allowed designers to recreate the warm and inviting look of traditional wooden furniture without the drawbacks.

Model #	Height	Width	Depth	Weight
CAB40	19.1"	20"	20"	18 lbs

Material

One-piece, seamless, specially formulated polymer construction is structurally reinforced for superior durability and impact resistance. Each piece is uniquely fashioned with proprietary TruGrain™ polymer formulation to replicate natural wood, and deliver a residential appearance. Contains a minimum of 30% recycled content. Enhanced UV resistant formulation suitable for both indoor and outdoor use.

**March 2022: Due to current supply chain issues caused by Force Majeure, Cabin may or may not have recycled content at this time.*

Options

Bolt-down / Ganging Kit / Factory Ballasting (50 lbs)

Environmental Test Standards

GREENGUARD and GREENGUARD Gold Certified by UL Environment. Product certified for low chemical emissions to UL 2818. UL.COM/GG.

Performance Test Standards

Product tested to 750 lbs static load.

Assembly

None Required

Warranty

5 year limited replacement warranty.

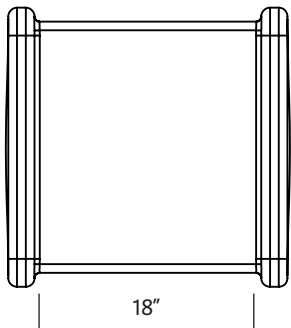
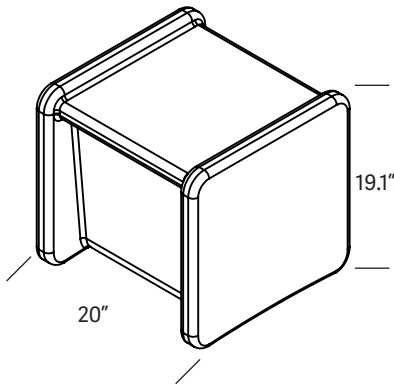
Maintenance


For routine and regular cleaning, Tonik® recommends the use of Simple Green® or an equivalent cleaning product with a soft damp cloth.

Color

 Harvest  Java

Due to differences in monitors, printers and materials, actual product colors may vary. Color chips are available for more accurate depiction of color.



 Item has a Ballast Port