

TONIK®



# CABIN Arm Chair

Cabin is the modern take on traditional design packed with all of the benefits of one-piece rotomolded polymer. The proprietary TruGrain™ technology has allowed designers to recreate the warm and inviting look of traditional wooden furniture without the drawbacks.

Model #	Height	Seat Height	Width	Depth	Weight	COM Yards
CAB10	31.1"	18"	26"	27.5"	50 lbs	2.4 yds

## Material

**Base:** One-piece, seamless, specially formulated polymer construction is structurally reinforced for superior durability and impact resistance. Each piece is uniquely fashioned with proprietary TruGrain™ polymer formulation to replicate natural wood, and deliver a residential appearance. Contains a minimum of 30% recycled content. Enhanced UV resistant formulation suitable for both indoor and outdoor use.

*\*March 2022: Due to current supply chain issues caused by Force Majeure, Cabin may or may not have recycled content at this time.*

**Cushion:** 2" thick open cell foam adhered to EPP high density flexible foam is attached to base with heavy duty velcro.

## Options

Bolt-down / Ganging Kit / Factory Ballasting (50 lbs)

## Upholstery

Hundreds of upholstery options in different grades and price points available for cushioned top including COM.

## Environmental Test Standards

GREENGUARD and GREENGUARD Gold Certified by UL Environment. Product certified for low chemical emissions to UL 2818. UL.COM/GG.

## Performance Test Standards

Product tested to 750 lbs static load.

## Assembly

None Required

## Warranty

5 year limited replacement warranty.

## Maintenance

For routine and regular cleaning, Tonik® recommends the use of Simple Green® or an equivalent cleaning product with a soft damp cloth.

## Color

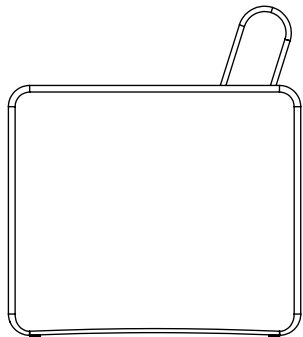
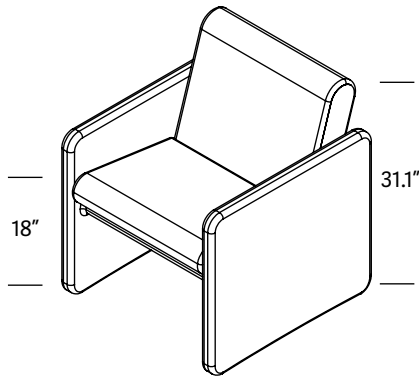


Harvest



Java

*Due to differences in monitors, printers and materials, actual product colors may vary. Color chips are available for more accurate depiction of color.*



27.5"



Item has a Ballast Port