

TONIK



COUPE Lounge Chair

Modern design meets robust durability with the new Coupe Lounge Chair. Smooth edges, a gentle curved back, and a wide variety of colors will easily mesh with any indoor or outdoor décor. The one-piece, roto-molded polymer makes it extremely durable, UV-resistant and easy to clean – perfect for daily use at a poolside, an outside patio or a rooftop bar. An optional drainage hole is available.

Model #	Height	Seat Height	Width	Depth	Weight (No Drain)	Weight (Drainage)
CP10	30"	17.1"	27.7"	27.3"	32 lbs	35 lbs

Material

One-piece, rotationally molded, specially formulated, high-impact polyethylene with ultraviolet light stabilizers (to reduce fading). The commercial-grade polyethylene material is also FDA-approved, making it ideal for restaurants, food courts and entertainment facilities. Chemically resistant to bleach, salt solution and chlorine solution. Premium TruColor™ material is fully compounded for superior color and quality assurance. Enhanced UV resistant formulation suitable for both indoor and outdoor use.

Options

Illuminated Version (Moonglow only) / Drainage / Bolt-down plates / Ballasting (50 lbs recommended)

Environmental Test Standards

GREENGUARD and GREENGUARD Gold Certified by UL Environment. Product certified for low chemical emissions to UL 2818. UL.COM/GG.

Performance Test Standards

Product tested to 750 lbs static load.

Assembly

None Required

Warranty

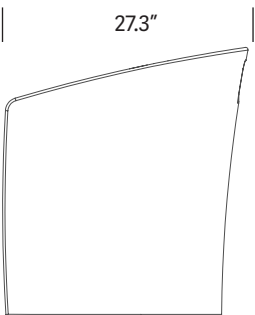
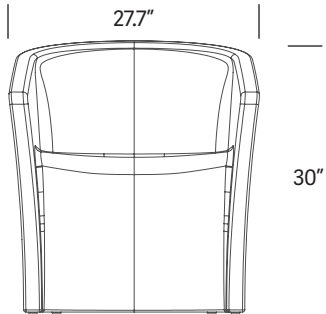
5 year limited replacement warranty.

Maintenance

For routine and regular cleaning maintenance, Tonik recommends the use of Simple Green® or an equivalent cleaning product. For the deep-scrub cleaning of tougher stains, marks and debris, we recommend the use of Clorox® Clean-Up® Cleaner + Bleach or an equivalent cleaning solution.

Due to differences in monitors, printers and materials, actual product colors may vary. Color chips are available for more accurate depiction of color.

Color



Item has a Ballast Port



Rechargeable Only