

TONIK®

ZOID™

A new kids furniture product ZOID™ is a one-seat wonder due to the endless configurations that can be created with this fun kids series. This light-weight product can be moved and re-configured as needed and is applicable to high-traffic and constant-use.



Model #	Height	Width	Length	Seat Height	Weight
ZD10	22"	17.5"	43"	14.25"	22 lbs

Material

One-piece, rotationally molded, specially formulated, high-impact polyethylene with ultraviolet light stabilizers (to reduce fading). The commercial-grade polyethylene material is also FDA-approved, making it ideal for restaurants, food courts and entertainment facilities. Chemically resistant to bleach, salt solution and chlorine solution. Premium TruColor™ material is fully compounded for superior color and quality assurance. Enhanced UV resistant formulation suitable for both indoor and outdoor use.

Options

Ballasting (50 lbs recommended)

Environmental Test Standards

GREENGUARD and GREENGUARD Gold Certified by UL Environment. Product certified for low chemical emissions to UL 2818. UL.COM/GG.

Performance Test Standards

Product tested to 500 lbs static load.

Assembly

None Required

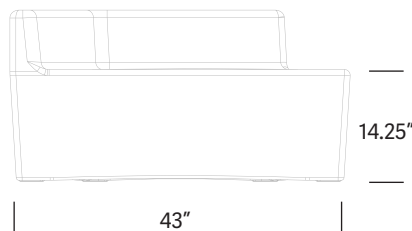
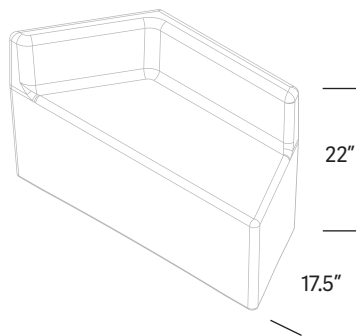
Warranty

5 year limited replacement warranty.

Maintenance

For routine and regular cleaning maintenance, Tonik recommends the use of Simple Green® or an equivalent cleaning product. For the deep-scrub cleaning of tougher stains, marks and debris, we recommend the use of Clorox® Clean-Up® Cleaner + Bleach or an equivalent cleaning solution.

Color



*Available port for ballasting