

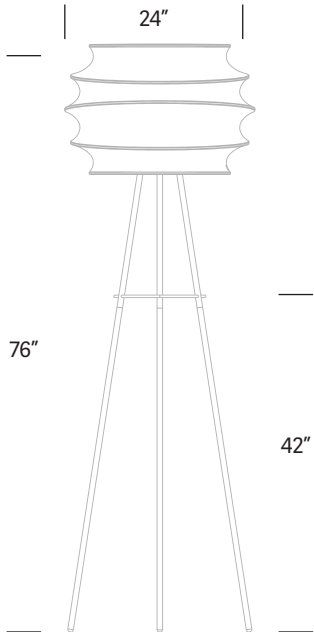
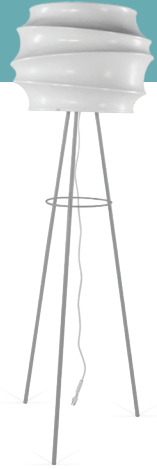
TONIK®

SWIZZLE™ Tri-pod Floor Lamp

designed by
Karim Rashid



Our Swizzle™ floor lamp elevates our surface light, allowing to brighten a space from any angle. Mounted on a 60" stand, this playful pod uses an elegant and efficient LED bulb, so you can set a romantic mood or keep the party going well after dark.



Model #	Height	Width	Weight
SW60	76"	24"	25 lbs

Material

Diffuser - One-piece, rotationally molded, specially formulated, high-impact polyethylene with ultraviolet light stabilizers (to reduce fading). The commercial-grade Polyethylene material is also FDA-approved, making it ideal for restaurants, food courts and entertainment facilities. Chemically resistant to bleach, salt solution and chlorine solution. Premium TruColor™ material is fully compounded for superior color and quality assurance. Enhanced UV resistant formulation suitable for both indoor and outdoor use.

Tri-pod Base - It features a sleek, easy to assemble metal base with a handsome white or metallic silver powder coat finish. This lamp is ETL approved for wet locations, features a 8-foot waterproof cord, and requires one 10-watt 110 VAC LED medium base bulb (installed).

Corrosion - Resistant adjustable floor glides.

Options

Cord colors (Fuchsia, Chartreuse, Malibu, & Cloud) / Base colors (Satin White & Metallic Silver) / Bolt-down Plates

Environmental Test Standards

GREENGUARD and GREENGUARD Gold Certified by UL Environment. Product certified for low chemical emissions to UL 2818. UL.COM/GG.

Standards

Portable Electric Luminaries [UL 153 /CSA C22.2#250.4]
Protection Rating: IP65

Assembly

None Required

Warranty

5 year limited replacement warranty.

Maintenance

For routine and regular cleaning maintenance, Tonik recommends the use of Simple Green® or an equivalent cleaning product. For the deep-scrub cleaning of tougher stains, marks and debris, we recommend the use of Clorox® Clean-Up® Cleaner + Bleach or an equivalent cleaning solution.

Colors

Base Colors



Cord Colors

