

TONIK®

# ZOID™

A new kids furniture product ZOID™ is a one-seat wonder due to the endless configurations that can be created with this fun kids series. This light-weight product can be moved and re-configured as needed and is applicable to high-traffic and constant-use.



Model #	Height	Width	Length	Seat Height	Weight
ZD10	22"	17.5"	43"	14.25"	22 lbs

## Material

One-piece, rotationally molded, specially formulated, high-impact polyethylene with ultraviolet light stabilizers (to reduce fading). The commercial-grade polyethylene material is also FDA-approved, making it ideal for restaurants, food courts and entertainment facilities. Chemically resistant to bleach, salt solution and chlorine solution. Premium TruColor™ material is fully compounded for superior color and quality assurance. Enhanced UV resistant formulation suitable for both indoor and outdoor use.

## Options

Ballasting (50 lbs recommended)

## Environmental Test Standards

GREENGUARD and GREENGUARD Gold Certified by UL Environment. Product certified for low chemical emissions to UL 2818. UL.COM/GG.

## Performance Test Standards

Product tested to 500 lbs static load.

## Assembly

None Required

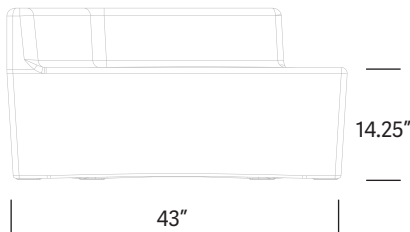
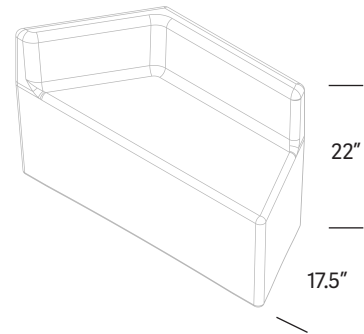
## Warranty

5 year limited replacement warranty.

## Maintenance

For routine and regular cleaning maintenance, Tonik recommends the use of Simple Green® or an equivalent cleaning product. For the deep-scrub cleaning of tougher stains, marks and debris, we recommend the use of Clorox® Clean-Up® Cleaner + Bleach or an equivalent cleaning solution.

## Color



Item has a Ballast Port