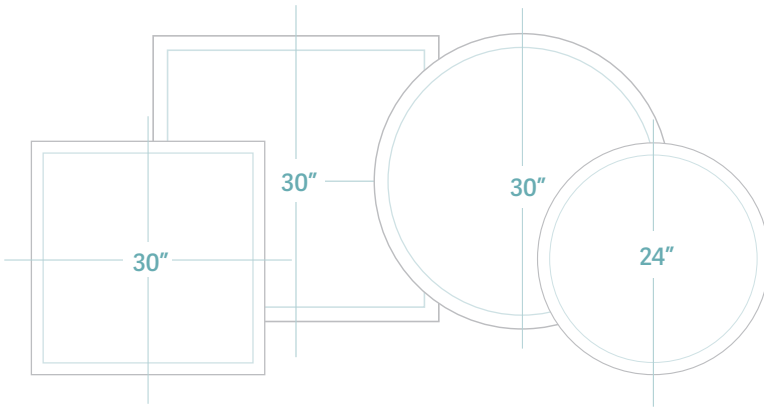
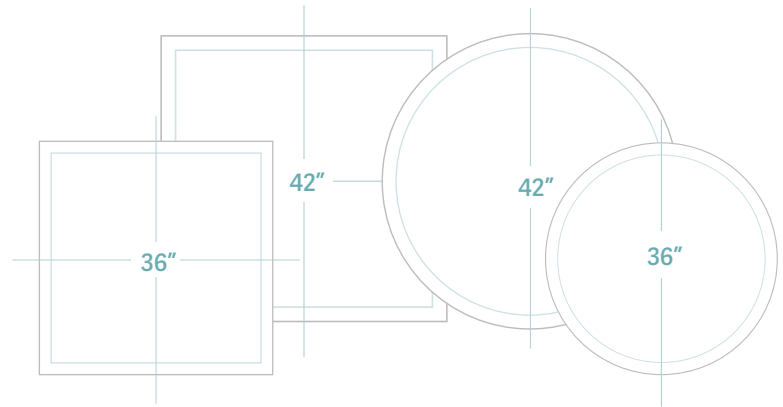


Available in round and square tops

Bar Table Tops



Dining Table Tops



Phenolic Top Designs

24" & 30" in Round & Square for Bar Table
36" & 42" in Round & Square for Dining Table



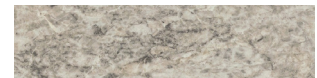
Canton Hickory



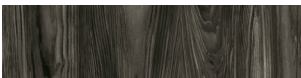
Granery Pine



Graphite Spectrum



Italian White



Loft Ash



Nantucket Oak

Table top features

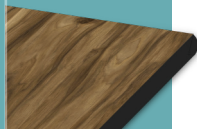
- Machined from a solid phenolic panel - resulting in a durable, smooth, and attractive appearance.
- Self-edging solid phenolic eliminates applied edge treatments.
- No place for dirt, microbial growth, or moisture to accumulate.

Material Highlights

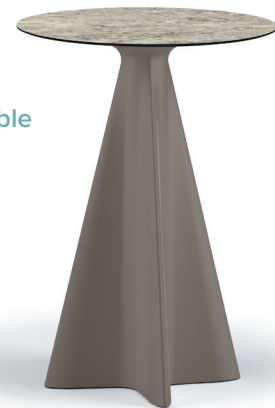
- Thermally-fused under heat and pressure creating a solid, fully-cured surface.
- Moisture, heat and chemical resistant.
- UV stable for exterior applications.

Edge detail

ROC edge design (round on center edge)



Jux Bar Table



Jux Dining Table

